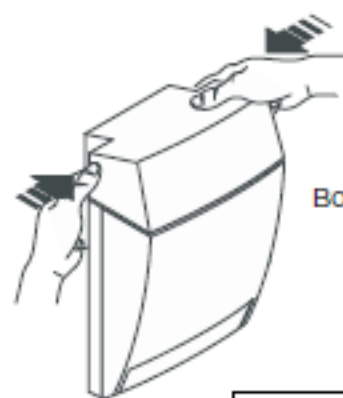
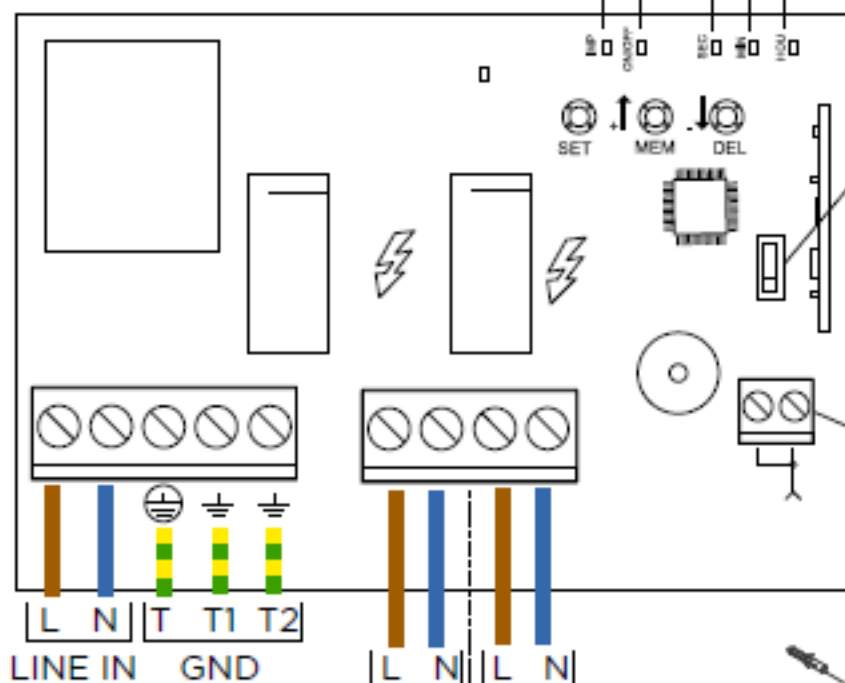


WIRING DIAGRAM



Box opening

hours LED
minutes LED
seconds LED
ON/OFF LED
Impulsive LED



Switch for output selection

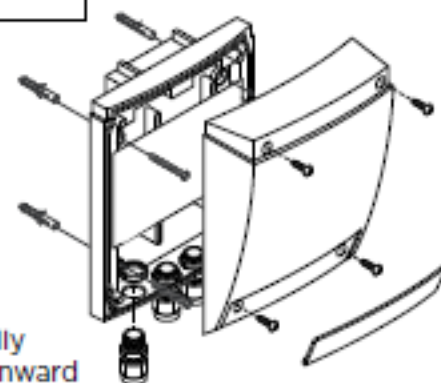
Out L1 ↑
Out L2 ↓

Aerial connection

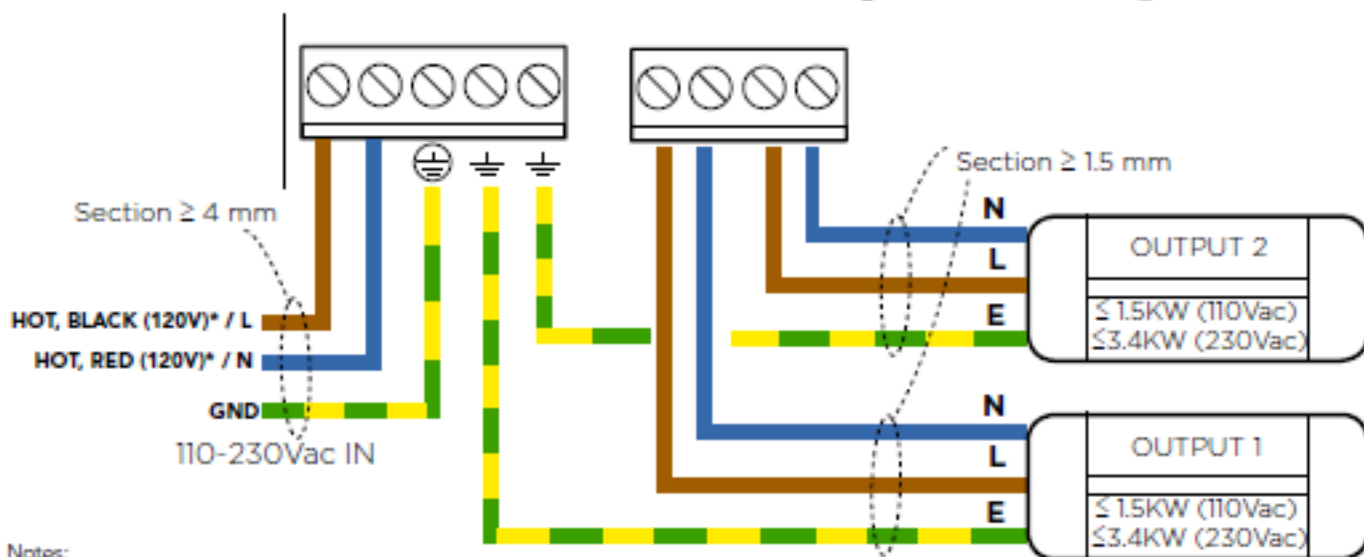
LINE IN
(110/230Vac - 31A)

OUT L1
(110/230Vac - 15A)
3400W max. @ 230Vac
1500W max. @ 110Vac

OUT L2
(110/230Vac - 15A)
3400W max. @ 230Vac
1500W max. @ 110Vac



Mount the product vertically with the cable glands downward



Notes:

- Neutral (N) is not used when using split-phase 220-240V.
- Each OUTPUT can be one of the following Bromic products;
 - 2000W/3000W heater (208Vac)
 - 2000W/3000W/3400W heater (240Vac)
 - 2 x Bromic Gas Heater (110Vac)